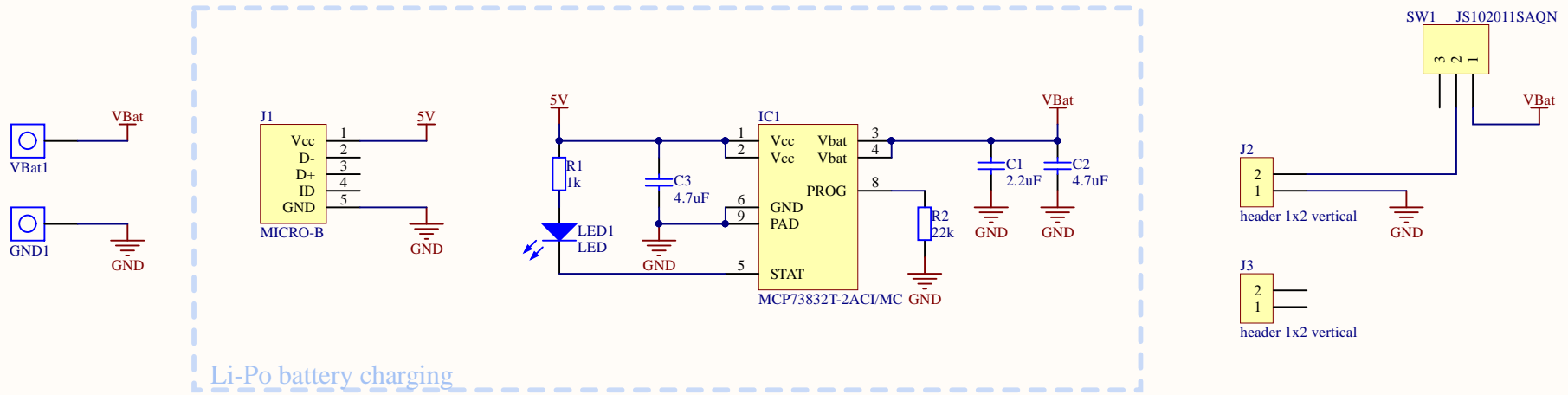
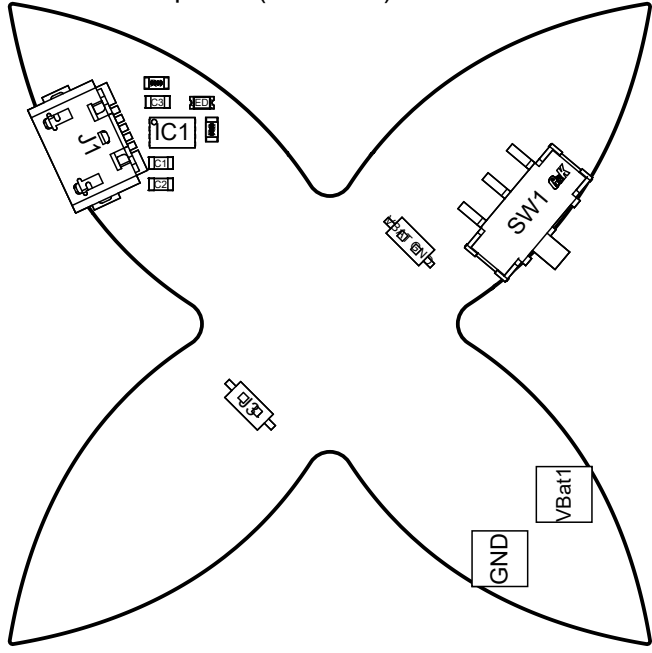


Note1: Current for battery charging is set to 45mA by a 22kOhm resistor connected between PROG pin and GND (I(reg)=1000V/R(prog))

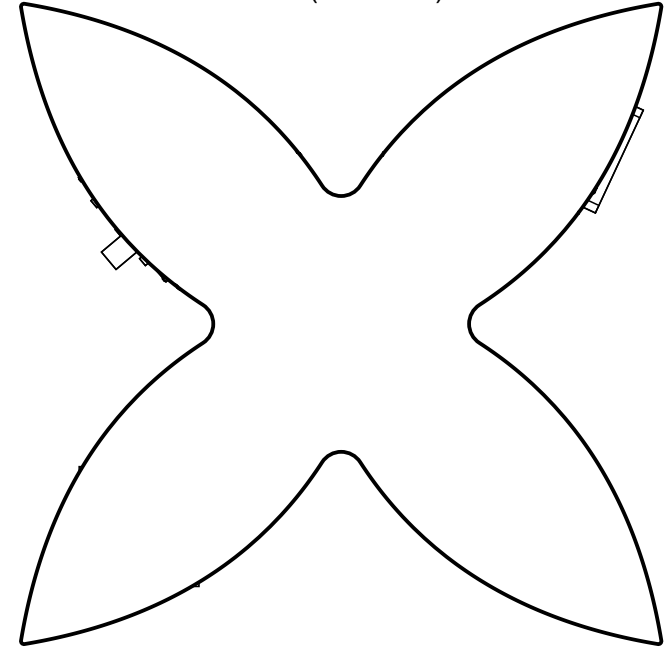


Title		
<b>Power</b>		
Size	Number	Revision
A4		<b>1</b>
Date:	20.05.2019	Sheet 1 of 1
File:	C:\Users\...Power.SchDoc	Drawn By: Jane Saar

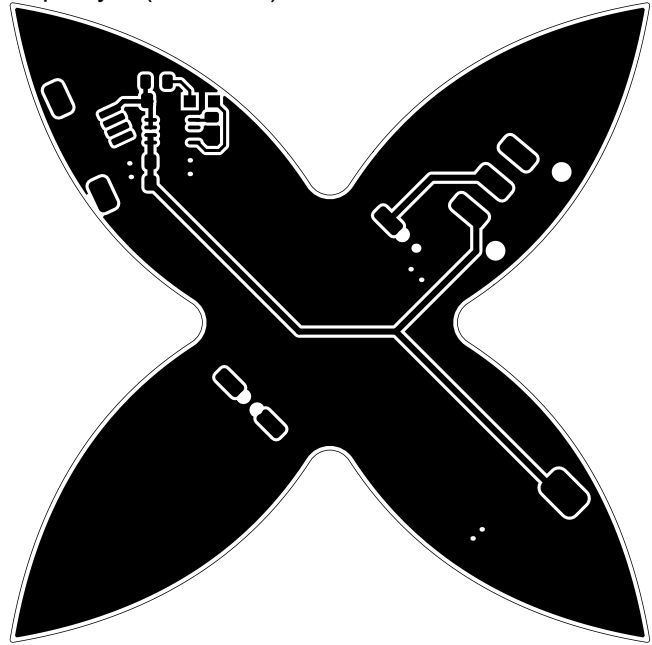
View from Top side (Scale 2:1)



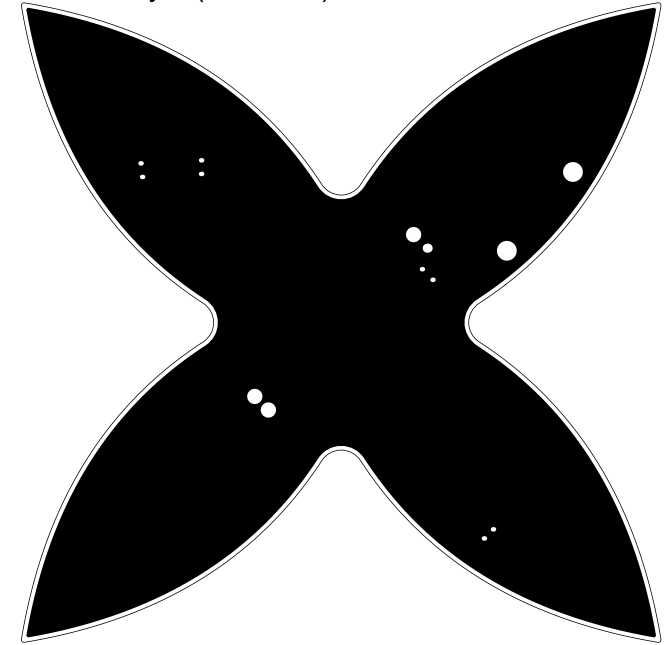
View from Bottom side (Scale 2:1)



Top Layer (Scale 2:1)



Bottom Layer (Scale 2:1)



1

1

2

2

3

3

4

4